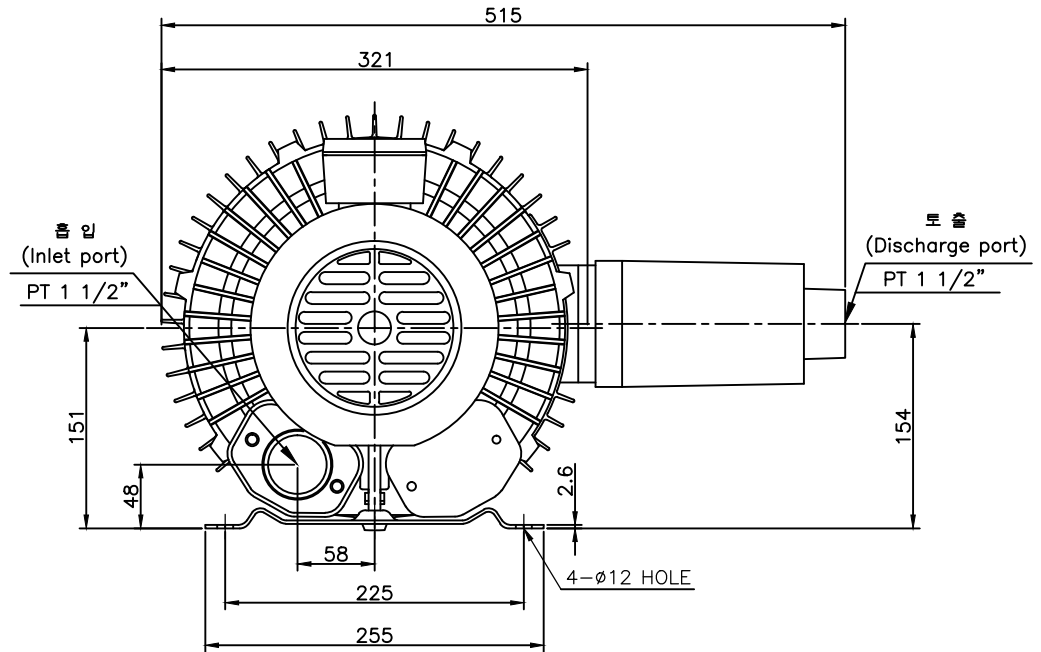
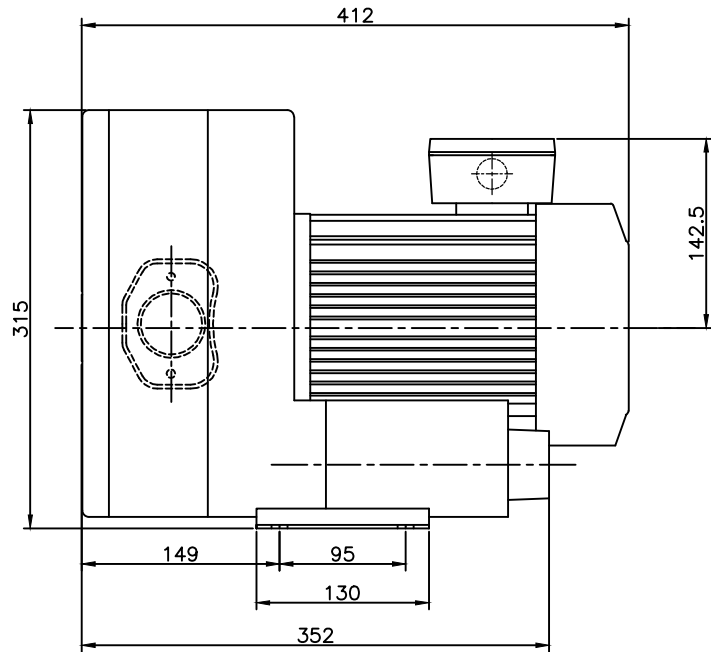


NOTE 1)

No.	PART NAME	MATERIAL	Qt'y	SIZE	REMARK
01					



회주제품 주조				절삭 가공				No.				Revision				Date	Draw	Check	Appr.
보통 치수 허용차	길이	두께		치수 구분	정밀급	보통급		No.				Revision				Date	Draw	Check	Appr.
	치수 구분	허용차	치수 구분	허용차	0 - 6	±0.05	±0.1	No.				Revision				Date	Draw	Check	Appr.
	0 - 120	±1.5	0 - 10	±1.5	6 - 30	±0.1	±0.2	No.				Revision				Date	Draw	Check	Appr.
	120 - 250	±2.0	10 - 18	±2.0	30 - 120	±0.15	±0.3	No.				Revision				Date	Draw	Check	Appr.
	250 - 400	±3.0	18 - 30	±3.0	120 - 315	±0.2	±0.5	No.				Revision				Date	Draw	Check	Appr.
400 - 500	±4.0	30 - 50	±3.5	315 - 1000	±0.3	±0.6	No.				Revision				Date	Draw	Check	Appr.	
500 - 1800	±6.0			1000 - 2000	±0.5	±1.2	No.				Revision				Date	Draw	Check	Appr.	
				2000 - 3150	±0.8	±1.6	No.				Revision				Date	Draw	Check	Appr.	

형식 TYPE	HRB-402S MH				도명 TITLE	OUTLINE DWG			
DRAWN	DESIGN	CHECKED	APPROVED	3RD ANGLE	SCALE:1/NS	UNIT:mm			
B.S.Kim				SIZE	3φ2P1.75Kw				
10.11.18				도번 DWG. No.	BOD00163				
黃海電機 HWANG HAE ELECTRIC									