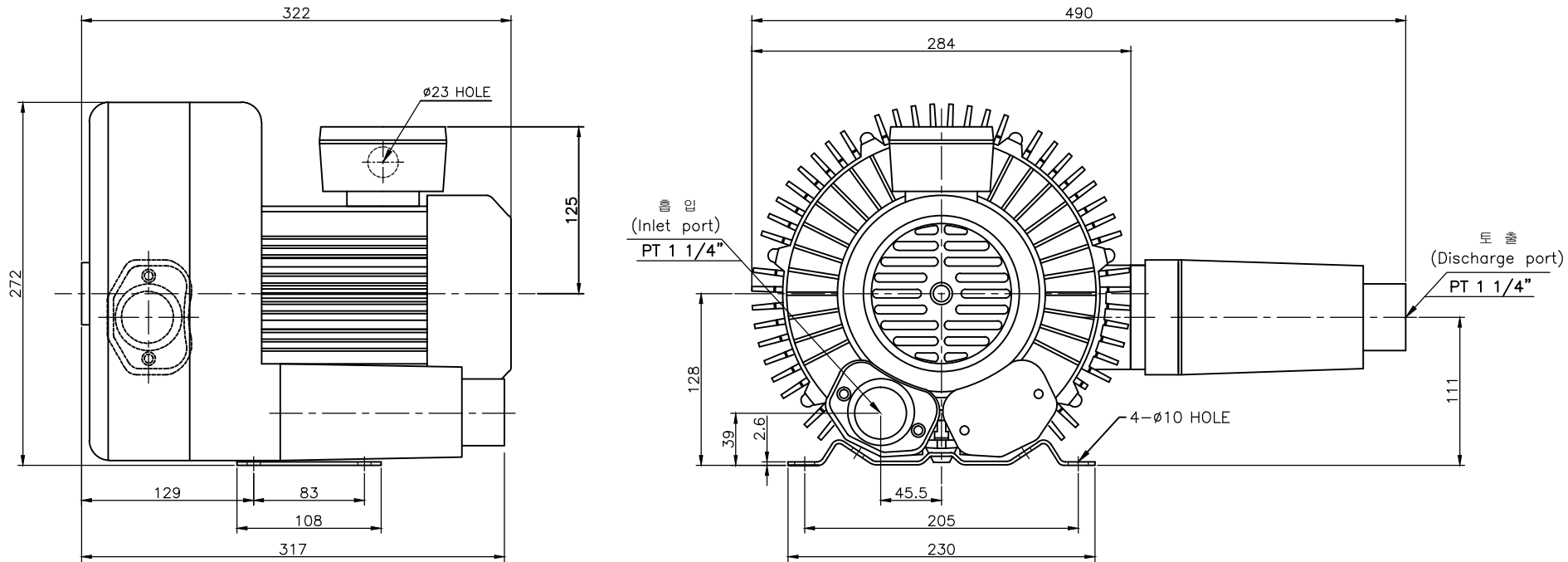


NOTE 1)

No.	PART NAME	MATERIAL	Qt'y	SIZE	REMARK
01					



회주제품 구조		절삭 가공		No.		Revision		Date	Draw	Check	Appr.		
길이	두께	치수 구분	허용차	정밀급	보통급	HRB-202 MH		도명		OUTLINE DWG			
0 - 120	±1.5	0 - 10	±1.5	0 - 6	±0.05	±0.1	DRAWN	DESIGN	CHECKED	APPROVED	3RD ANGLE	SCALE:1/NS	UNIT:mm
120 - 250	±2.0	10 - 18	±2.0	6 - 30	±0.1	±0.2	B.S.Kim				SIZE	3φ2P0.93Kw	
250 - 400	±3.0	18 - 30	±3.0	30 - 120	±0.15	±0.3	10.11.18				도번	BOD00158	
400 - 500	±4.0	30 - 50	±3.5	120 - 315	±0.2	±0.5					DWG. No.	BOD00158	
500 - 1800	±6.0			315 - 1000	±0.3	±0.6							
				1000 - 2000	±0.5	±1.2							
				2000 - 3150	±0.8	±1.6							

