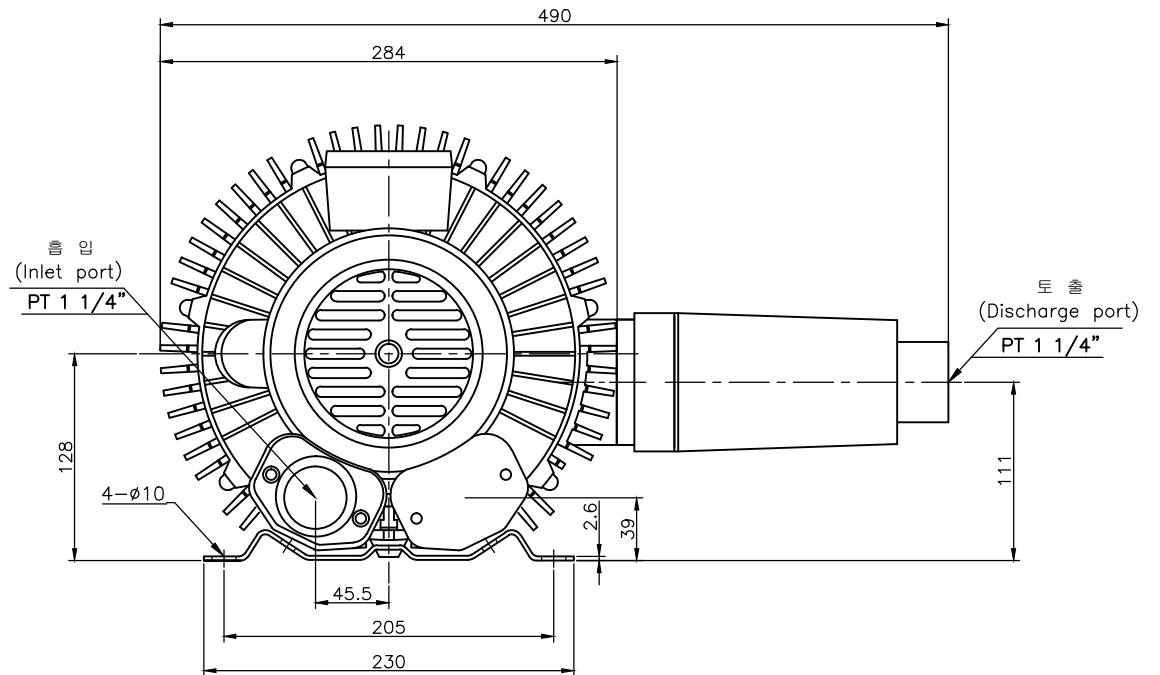
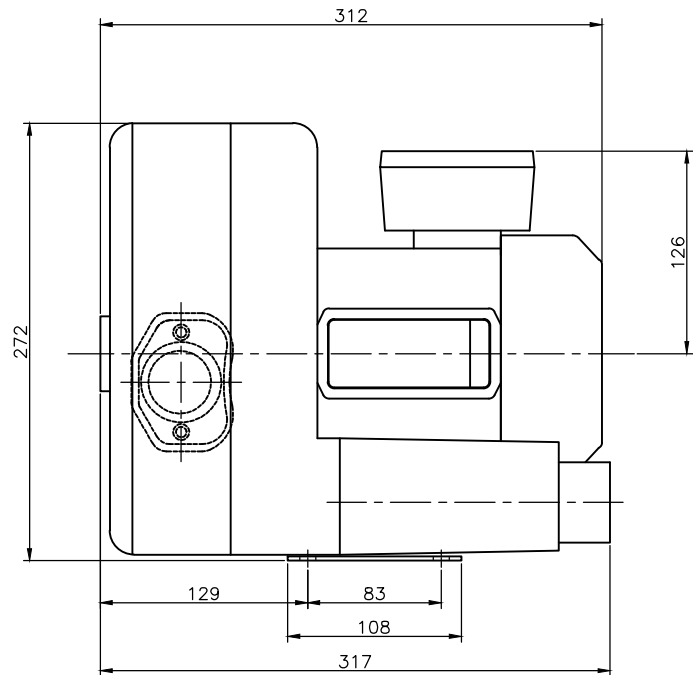


NOTE 1)

PHASE	OUTPUT	POLE	VOLT	AMP	WEIGHT
1 Φ	0.4 Kw	2 P	220 V	4.5 A	18 Kg



회주제품 구조		절삭 가공		No.		Revision		Date	Draw	Check	Appr.		
길이	두께	치수구분	허용차	치수구분	정밀급	보통급	00						
0 - 120	±1.5	0 - 10	±1.5	6 - 6	±0.05	±0.1	HRB-102-1		도명 TITLE OUTLINE DWG				
0 - 120	±1.5	0 - 10	±1.5	6 - 30	±0.1	±0.2	DRAWN	DESIGN	CHECKED	APPROVED	3RD ANGLE	SCALE:1/NS	UNIT:mm
120 - 250	±2.0	10 - 18	±2.0	30 - 120	±0.15	±0.3	B.S.Kim		SIZE 1 Φ 2P 0.4Kw				
250 - 400	±3.0	18 - 30	±3.0	120 - 315	±0.2	±0.5	09.06.25		도번 BOD00149				
400 - 500	±4.0	30 - 50	±3.5	315 - 1000	±0.3	±0.6	黃海電機 HWANG HAE ELECTRIC		도번 DWG. No.				
500 - 1800	±6.0			1000 - 2000	±0.5	±1.2	△		△				
				2000 - 3150	±0.8	±1.6							